

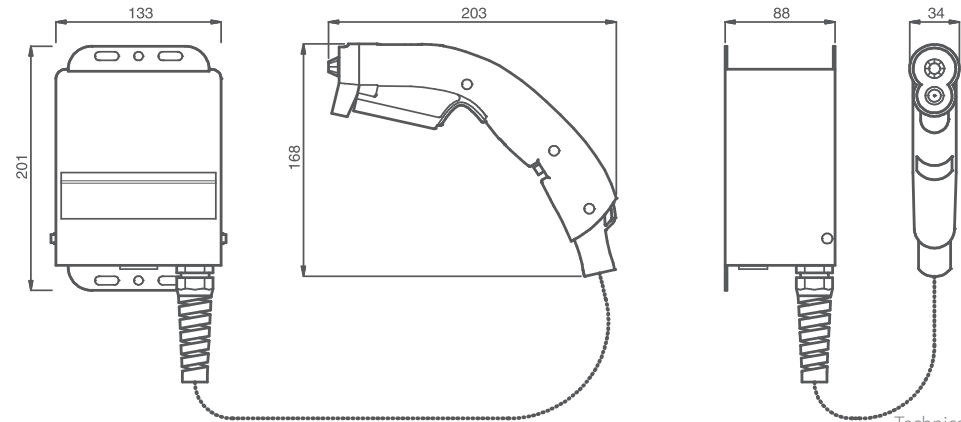


# Top Gun III

Ionising air guns and nozzles neutralise static charges on several materials and clean the surface using ionised compressed air. Neutralising the static charges makes it easier to blow clean the surface and prevents dust and dirt particles from being reattracted. The compressed air used for this purpose must be free from oil and water. The guns and nozzles are connected to a power unit which supplies the required high voltage. Simco-Ion's Top Gun III is developed for light industrial applications. A high ion production attendant to an optimal neutralisation of static charges. High blow-off force and low air consumption provide high-efficiency cleaning. A filter at the exit of the gun ensures that the air is clean. The gun body is lightweight and durable. It features a light-touch trigger, making it comfortable even for extended use. All functionality is built into the gun, including a flowcontrol valve, and a two-level LED which indicates if the gun is in "stand by" mode and if high voltage is currently active. Both the gun and cable are static dissipative. A hanger is provided for easy mounting. One gun can be connected to one power unit.

## Top Gun Sidekick

The Top Gun Sidekick offers hands-free operation. A foot pedal controls both ionisation and airflow. The Top Gun Sidekick includes a flexible mount feature with a bracket for flexible positioning.



### Simco-Ion Netherlands

Postbus 71  
Lochem, The Netherlands NL-7240 AB  
Tel: +31 (0)573 288333  
Fax: +31 (0)573 257319  
general@simco-ion.nl  
www.simco-ion.nl

### Technical specifications

Working distance	300 mm max.
Housing material	impact resistant plastic
Emitter pins	special alloy
Cable	static dissipative, 3 metre
Weight	0,8 kg incl. 3 metres cable
Ambient temperature	0- 40°C
Use circumstances	light industrial
Operating voltage	5 kV AC
Noise level	76 dB using 2 bar at 0,6 m
Air consumption	86 l/min. using 2 bar
Max. pressure	7 bar
Airconnection	1/8"NPT female
Airfilter	0,01 micron
Suitable power unit	Top Gung III power unit

Top Gun Sidekick