

static control made **Easy!**

Product Specifications

Static elimination Ionising air guns



Cobra

The ES-2J and Cobra ionising air guns have a rugged design and are therefore ideal for use in industrial applications. Ionising air guns neutralise static charges on several materials and clean the surface using ionised compressed air.

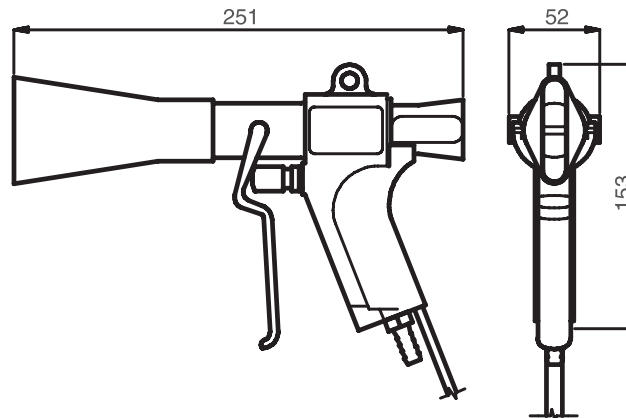
The Cobra ionising air gun is excellently suited for heavy-duty industrial applications. It has a lightweight durable gun body made of high-impact resistant plastic. The airflow is controlled by the trigger. The air flow is amplified by a minimum factor of 6:1 by drawing in ambient air through the rear. The emitter pin integrated aerodynamically in the gun body is cleaned during use. The gun comes standard with 6 metres of cable. Two guns max. can be connected to a single power unit.

Simco-Ion Netherlands

Postbus 71
Lochem, The Netherlands NL-7240 AB
Tel: +31 (0)573 288333
Fax: +31 (0)573 257319
general@simco-ion.nl
www.simco-ion.nl

Technical specifications

Working distance	600 mm max
Housing material	impact resistant plastic
Emitter pins	special alloy
Cable	PVC and PE, 6 or 12 m
Weight	0,6 kg incl. 6 m cable
Ambient temprature	0- 55 °C
Use circumstances	Industrial
Operating voltage	5,1 kV AC
Noise level	95 dB using 2 bar at 0,6 m
Air consumption	200 l/min. using 2 bar
Max. pressure	7 bar
Airconnection	1/4' BSP with 9 mm hose connection
Suitable power unit	A2A5G



Technical drawing Cobra

